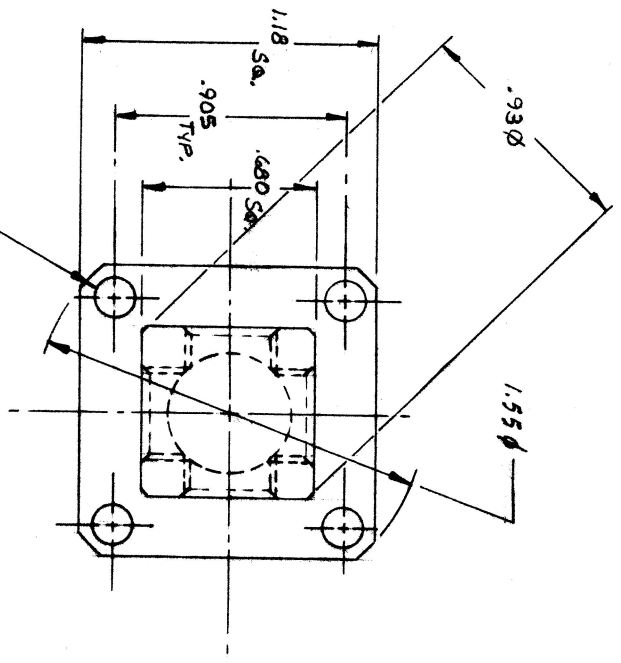


1. BREAK ALL SHARP EDGES .005-.010
2. THIS CAN HAVE UP TO A 45° ANGLE CAUSED BY DIVING A TURNING TOOL.

MATERIAL 303 STAINLESS

.X ±.030
 .XX ±.015
 .XXX ±.005

3/8-40 UNEF TAP THRU
 C'SINK .400 DIA x 45° (FOR O' RING)
 (4) HOLES



T TOUGH MASTER.

MAZAK NEW STYLE